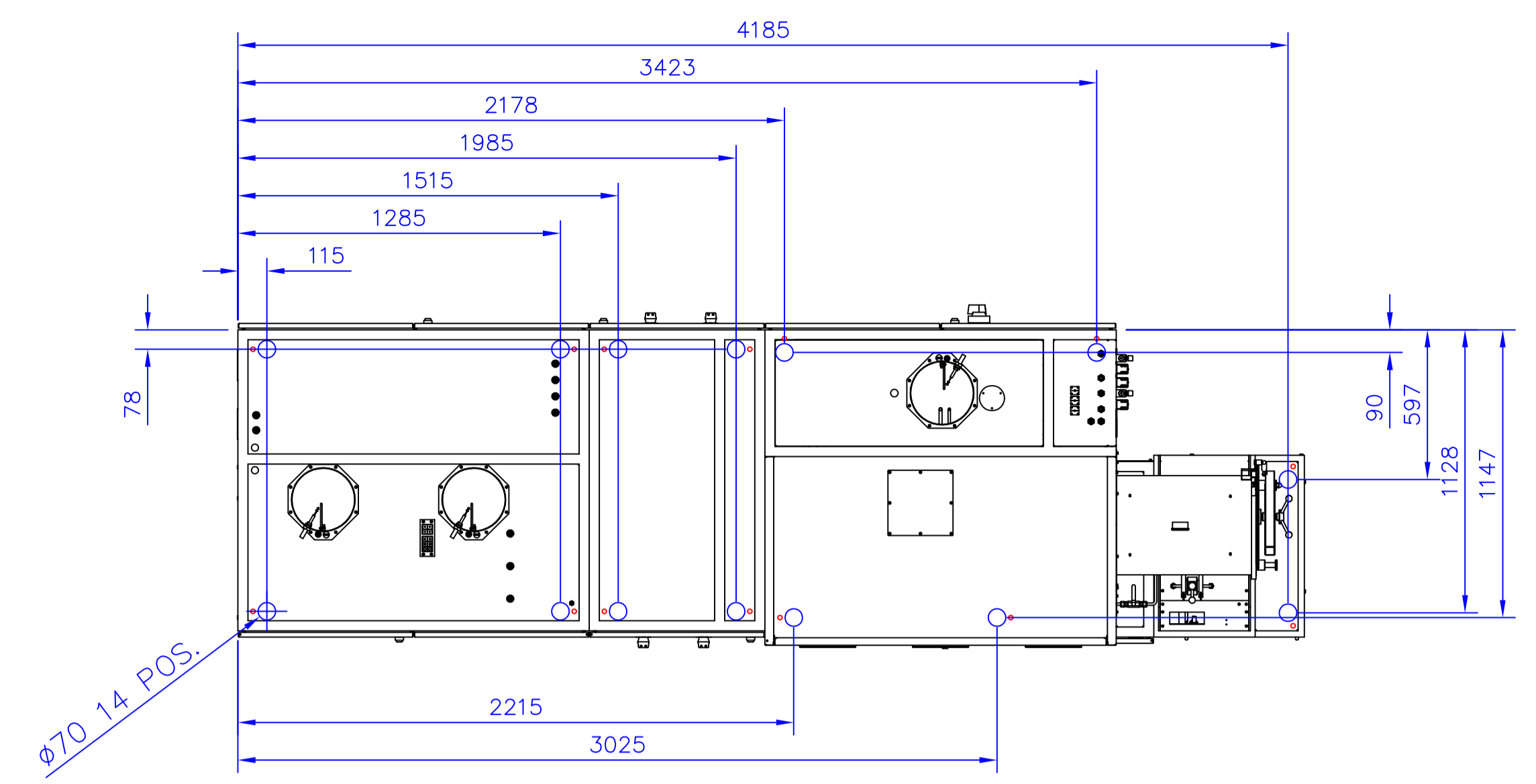
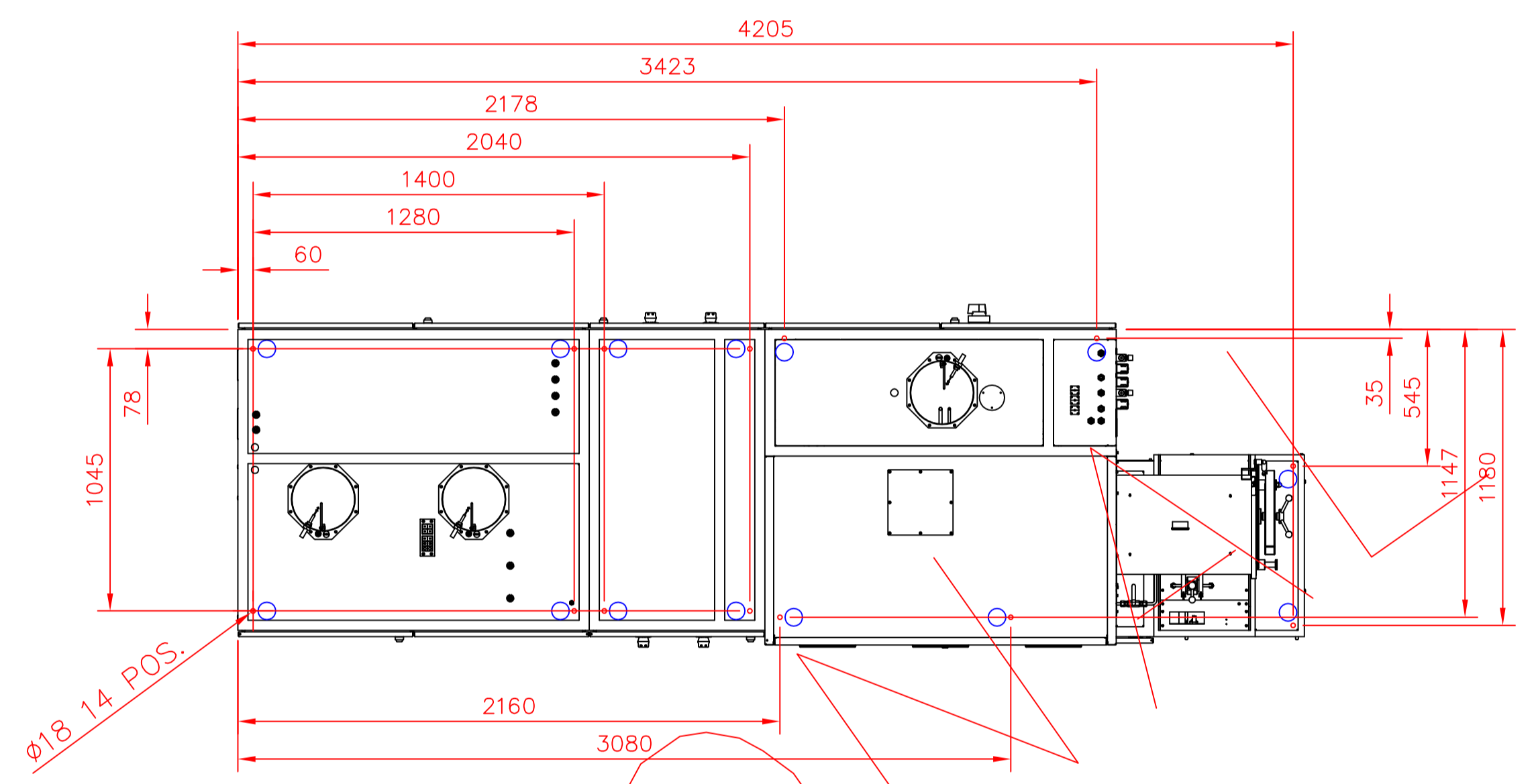


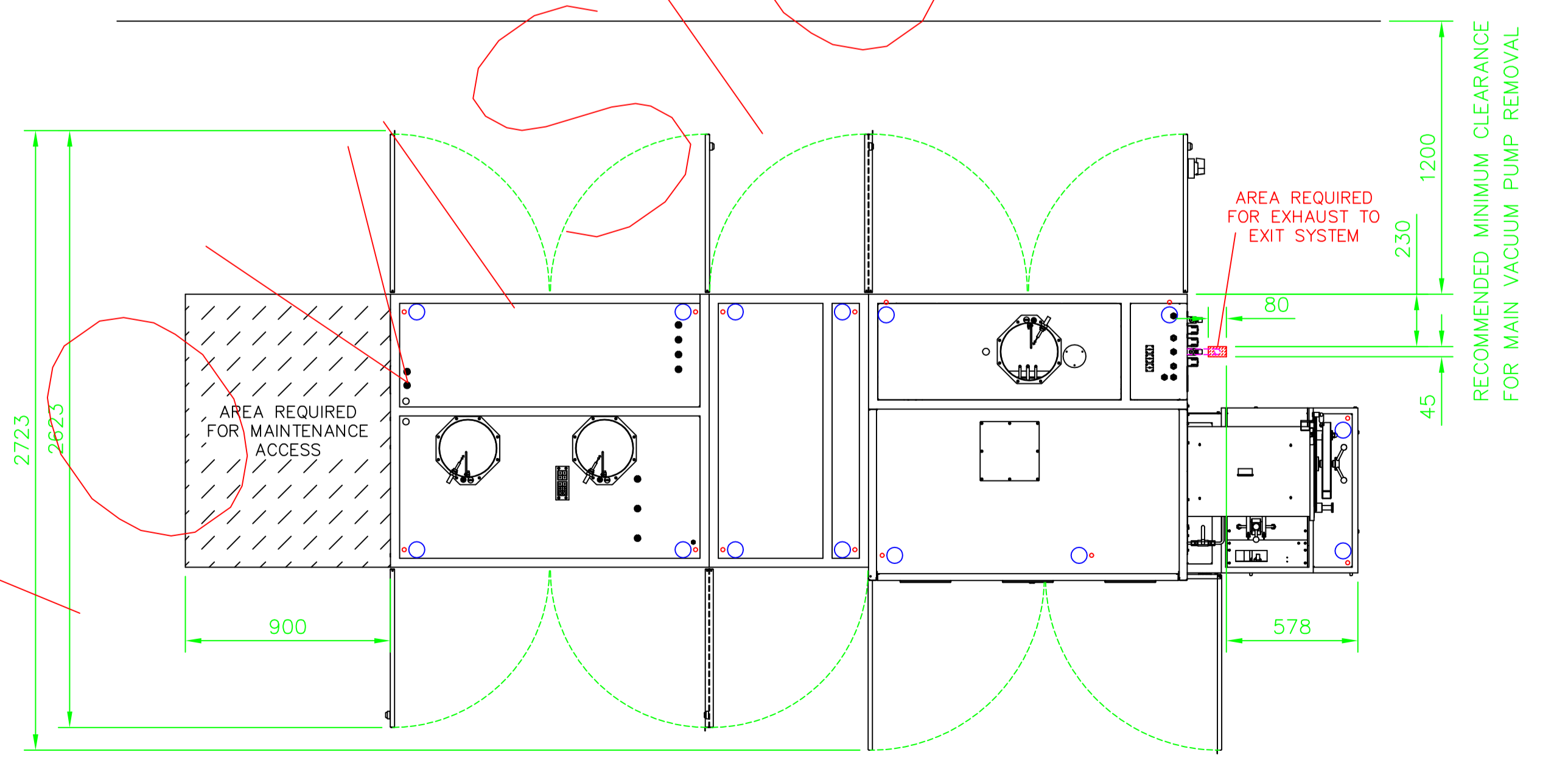
Ver.	Change No.	Description	Approved Date	Changed/Approved
1	-	ISSUED FOR REVIEW	XX-XX-XX	C/A



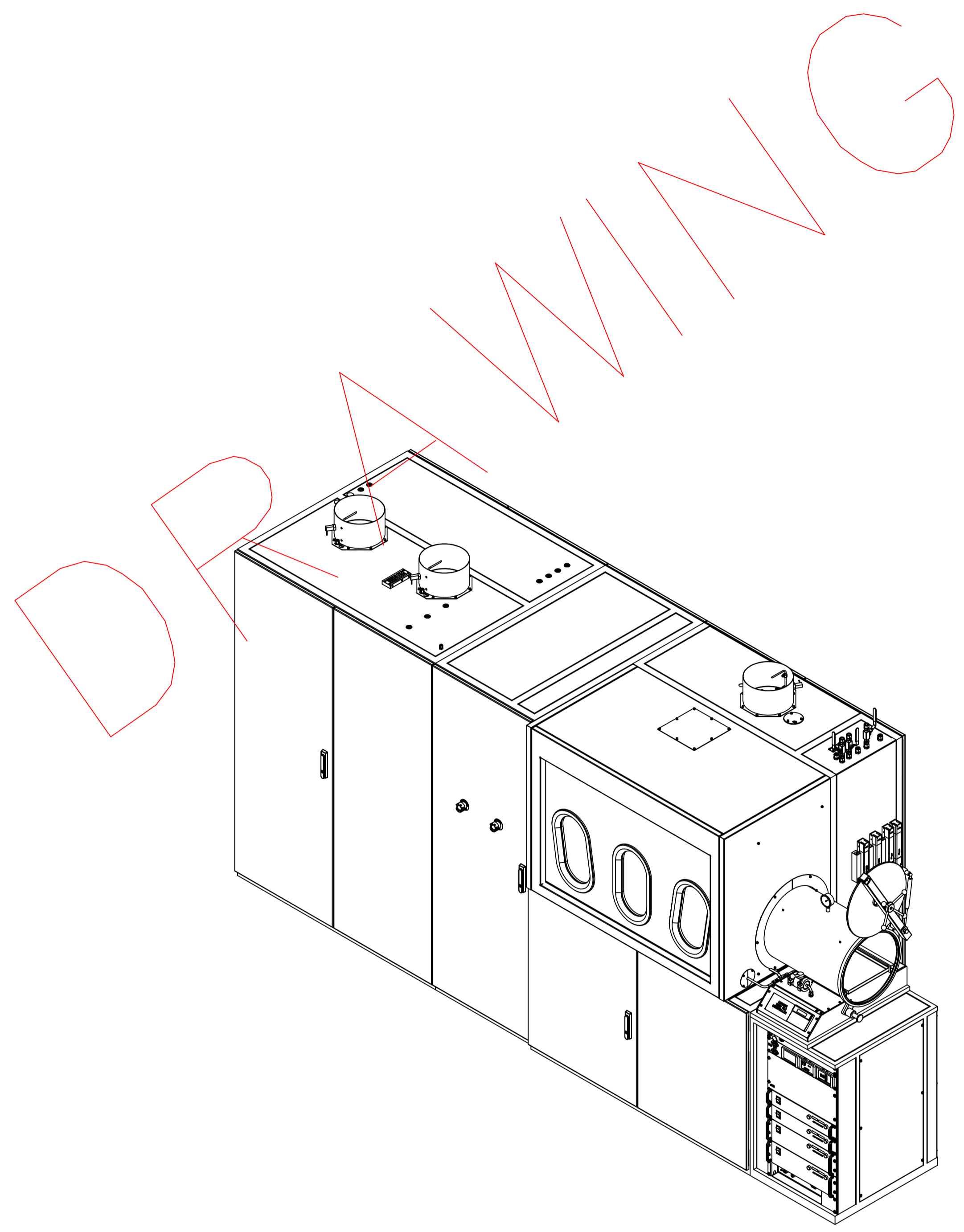
ADJUSTMENT FEET LOCATIONS



BOLT DOWN LOCATIONS



SERVICE DOORS OPEN



Handwritten red 'R' with an arrow pointing to the maintenance access area in the service doors open diagram.

Handwritten red '788XXX' in the bottom right corner.

Created by JED	Third angle projection ISO 128	Material -	General tolerances according to ISO 2768 - 1 H (unless otherwise stated)
Approved by TW	All dimensions are in mm (unless otherwise stated)	Finish -	General surface texture: ISO 1302 ✓ Ra 3.2 (unless otherwise stated)
Date 02-06-20	Scale 1:20	Size A1	Material No. XXXXXXXXXX
Title AIXTRON INSTALLATION DIAGRAM		Manufacture in accordance with Work Instruction 340 unless otherwise stated	Document Status Sheet RELEASED 2/2
Document No. 3x2 CCS 2D 1		Ver. 1	

The reproduction, distribution and utilization of this confidential document as well as the communication of its contents to others without explicit authorization is prohibited. Offenders will be held liable for the payment of damages. All rights reserved in the event of the grant of a patent, utility model or design.