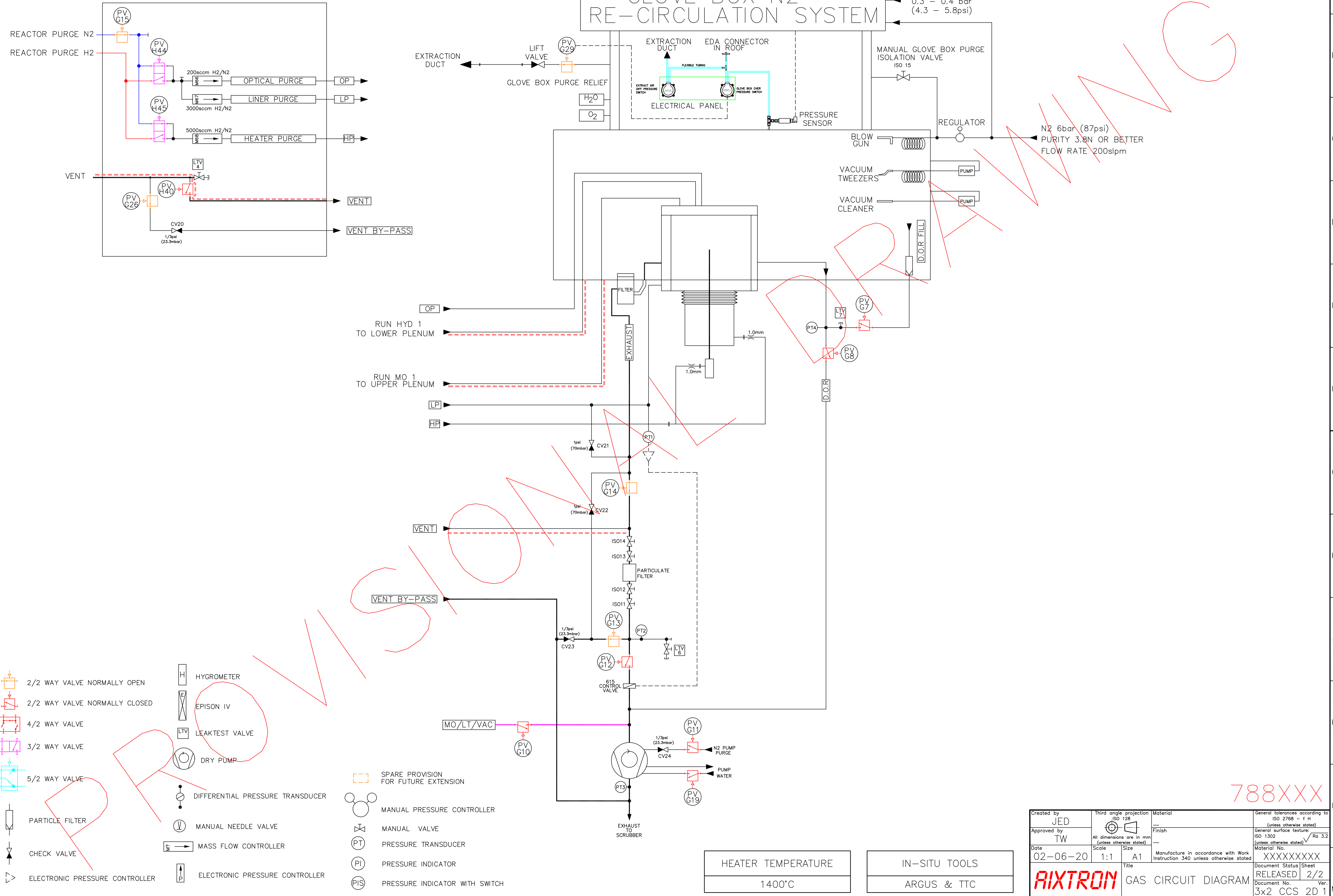


Ver.	Change No.	Description	Approved Date	Changed/Approved
1	-	ISSUED FOR REVIEW	XX-XX-XX	C/A

# PURGE PANEL

# GLOVE BOX N2 RE-CIRCULATION SYSTEM



Created by JED	Third angle projection ISO 128	Material -	General tolerances according to ISO 2768 - 1 H (unless otherwise stated)
Approved by TW	All dimensions are in mm (unless otherwise stated)	Finish -	General surface texture: ISO 1302 ✓ Ra 3.2 (unless otherwise stated)
Date 02-06-20	Scale 1:1	Size A1	Material No. XXXXXXXXXX
Manufacture in accordance with Work Instruction 340 unless otherwise stated			Document Status Sheet RELEASED 2/2
Title GAS CIRCUIT DIAGRAM			Document No. 3x2 CCS 2D 1

788XXX