
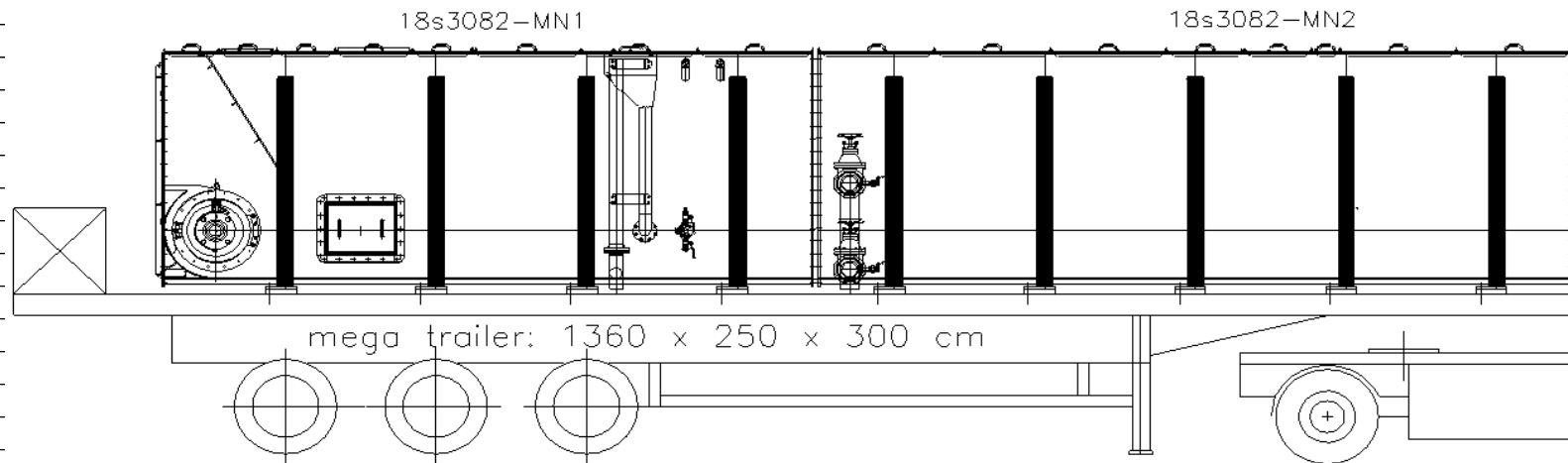
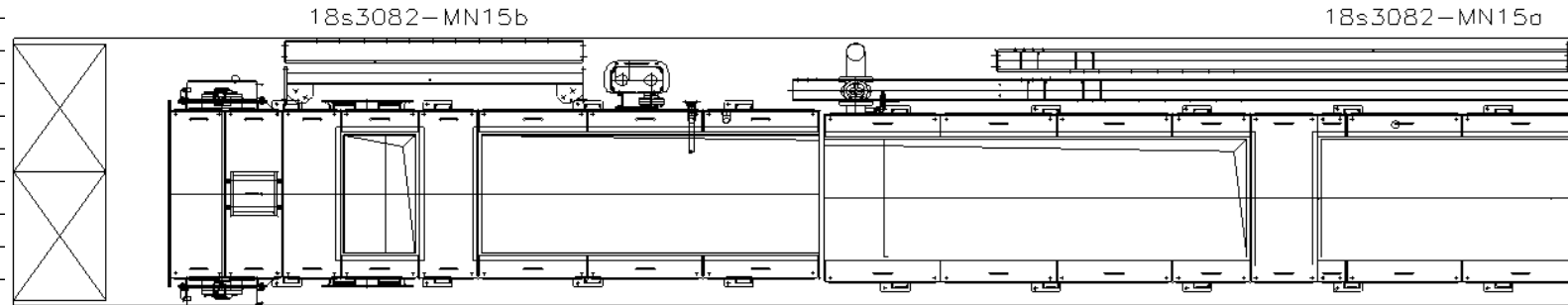


Shipping Advice No.: 18s3080		D1		Loading address data *				Delivery address data				4 Collo		Cargo space / type:			
System Order No.: 18s3080				Company: MRZ				Company: Pro Natura S.P.A.				2 Pallet		13,6 x 2,4 x 2,4 m			
Customer: TME - Bydgoszcz				Street:				Street: Ernstra Petersona 22				0 Box		Attachment(s):			
Date planned: -				Loading point:				Unloading point: -				0 Carton					
Initiator: lack				Zip-code & Town:				Zip-code & Town: 85-862 Bydgoszcz				0 Crate					
Date: 27-08-2018				Contact person:				Contact person: Piotr Barela				0 ...					
Revision / Rev.Name:				Phone Contact:				Phone Contact: +48 882 654 417						Value of Goods:		Cum.	
Rev.Date:				Country:				Country: PL						EUR 85499,-		Total [kg]	
☑	Line Item	Rev.	#	Description	Production Order no.	Part no.	Drawing no.	O.D.	Collo marking	Package	Dimensions [cm]			12264	12316		
											length	width	height	net	gross		
			1	Idler station	18s3082	-	T147093_02	1	D1-01	Collo	567	230	228	5816	5816		
			1	Straight section, in this item loaded;	4764 KG	-	T147094_01	2	D1-02	Collo	650	235	228	4917	4917		
			1	set bended angles for coverplates. Item 15-19	153 KG	-	T147116_01	10									
			1	support funnel, part 1/2	18s3082	-	T147654_00	15a	D1-03	Collo	675	50	50	523	523		
			1	support funnel, part 2/2	18s3082	-	T147654_00	15b	D1-04	Collo	260	50	50	400	400		
			1	Pallet containing,					D1-05	Pallet	120	80	50	548	580		
			1	torque arm assembled item 2-6	52 KG	-	T142767_00	10									
			2	filler plate d=15	14 KG	-	T147573_00	10									
			1	filler plate d=10	5 KG	-	T147573_00	10									
			1	filler plate d=5	2 KG	-	T147573_00	10									
			1	filler plate d=3	1 KG	-	T147573_00	10									
			1	filler plate d=1.5	- KG	-	T147573_00	10									
			2	filler plate d=15	8 KG	-	T147571_00	10									
			1	filler plate d=10	3 KG	-	T147571_00	10									
			1	filler plate d=5	1 KG	-	T147571_00	10									
			1	filler plate d=3	1 KG	-	T147571_00	10									
			1	filler plate d=1.5	- KG	-	T147571_00	10									
			1	Connecting pipe drain-drain, item 6	38 KG	-	T147915	16									
			2	Gasket D=218xd=169x2		-	T147915	10									
			1	Connecting pipe overflow, item 3	9 KG	-	T143773	17									
			1	Gasket D=162xd=115x2		-	T143773	10									
			27	meter PTFE sealing tape 20x7mm		11.EPAU0208	-	10									
			32	meter PTFE sealing tape 3x1.5mm		11.EPAU0486	-	10									
			52	filler plate d=15	312 KG	-	T144204_00	10									
			26	filler plate d=10	52 KG	-	T144204_00	10									
			26	filler plate d=5	26 KG	-	T144204_00	10									
			26	filler plate d=3	16 KG	-	T144204_00	10									
			26	filler plate d=1.5	8 KG	-	T144204_00	10									

☑	Line Item	Rev.	#	Description	Production Order no.	Part no.	Drawing no.	O.D.	Collo marking	Package	Dimensions [cm]			12264	12316
											length	width	height	net	gross
			1	Pallet containing,					D1-06	Pallet	120	80	50	60	80
			1	Pressure sensor (LHS) 7 KG	18s3082	-	T616.715_00	8							
			2	Hexagon bolt M12x40 DIN933-8.8-zinc plated	18s3082	-	-	10							
			2	Plain washer M12 DIN125-st-zinc plated	18s3082	-	-	10							
			2	Spring washer M12 DIN128-spring st-zinc plated	18s3082	-	-	10							
			20	Hexagon bolt M16x35 DIN933-8.8-zinc plated	18s3082	-	-	10							
			580	Hexagon bolt M16x55 DIN933-8.8-zinc plated	18s3082	-	-	10							
			5	Hexagon bolt M16x65 DIN933-8.8-zinc plated	18s3082	-	-	10							
			10	Hexagon bolt M16x70 DIN933-8.8-zinc plated	18s3082	-	-	10							
			1050	Plain washer M16 DIN125-st-zinc plated	18s3082	-	-	10							
			600	Spring washer M16 DIN128-spring st-zinc plated	18s3082	-	-	10							
			600	Hexagon nut M16 DIN934-8-zinc plated	18s3082	-	-	10							
			150	Square taper washer M16 DIN434-st-zinc plated	18s3082	-	-	10							
			20	Hexagon bolt M20x75 DIN931-8.8-zinc plated	18s3082	-	-	10							
			10	Hexagon bolt M20x100 DIN931-8.8-zinc plated	18s3082	-	-	10							
			50	Plain washer M20 DIN125-st-zinc plated	18s3082	-	-	10							
			25	Spring washer M20 DIN128-spring st-zinc plated	18s3082	-	-	10							
			25	Hexagon nut M20 DIN934-8-zinc plated	18s3082	-	-	10							
			42	Hexagon screw M24x100 DIN933-8.8-zinc plated	18s3082	-	-	10							
			8	Ltr Primer type Sigmacover 256	18s3082	-	-	10							
			2	Ltr Hardener for Sigmacover 256	18s3082	-	-	10							
			2	Ltr Thinner for Sigmacover 256	18s3082	-	-	10							
			8	Ltr Endcoating Sigmacover 550	18s3082	-	-	10							
			2	Ltr Hardener for Sigmacover 550	18s3082	-	-	10							
			2	Ltr Thinner for Sigmacover 550	18s3082	-	-	10							
			2	Paint Brushes	18s3082	-	-	10							
			2	Paint Rollers	18s3082	-	-	10							
			2	Handles for Rollers	18s3082	-	-	10							

☑	Line Item	Rev.	#	Description	Production Order no.	Part no.	Drawing no.	O.D.	Collo marking	Package	Dimensions [cm]			12264	12316
											length	width	height	net	gross



Remarks:

Ready for shipment and loaded:

Name:

Date:

Signed: